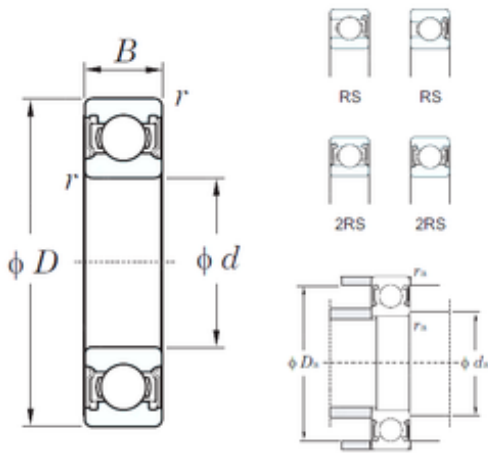




China 608z Bearing Supplier



6305-2RS Bearing 2D drawings and 3D CAD models

NSK NTN Koyo Timken SKF
 Agricultural/Angular/Insert/Thrust/Pillow
 Block/Deep Groove Ball Bearing 6305-2RS 6306
 6307 6308 6309 High Speed Motor Bearing

Bearing No. 6305-2RS

Size	25x62x17 mm
Bore Diameter	25 mm
Outer Diameter	62 mm
Width	17 mm
d	25 mm
D	62 mm
B	17 mm
C	17 mm
r min.	1,1 mm
da min.	31,5 mm
da max	34 mm
Da max.	55,5 mm
ra max.	1 mm
Weight	0,232 Kg
Basic dynamic load rating (C)	20,6 kN
Basic static load rating (C0)	11,3 kN
(Grease) Lubrication Speed	7500 r/min